

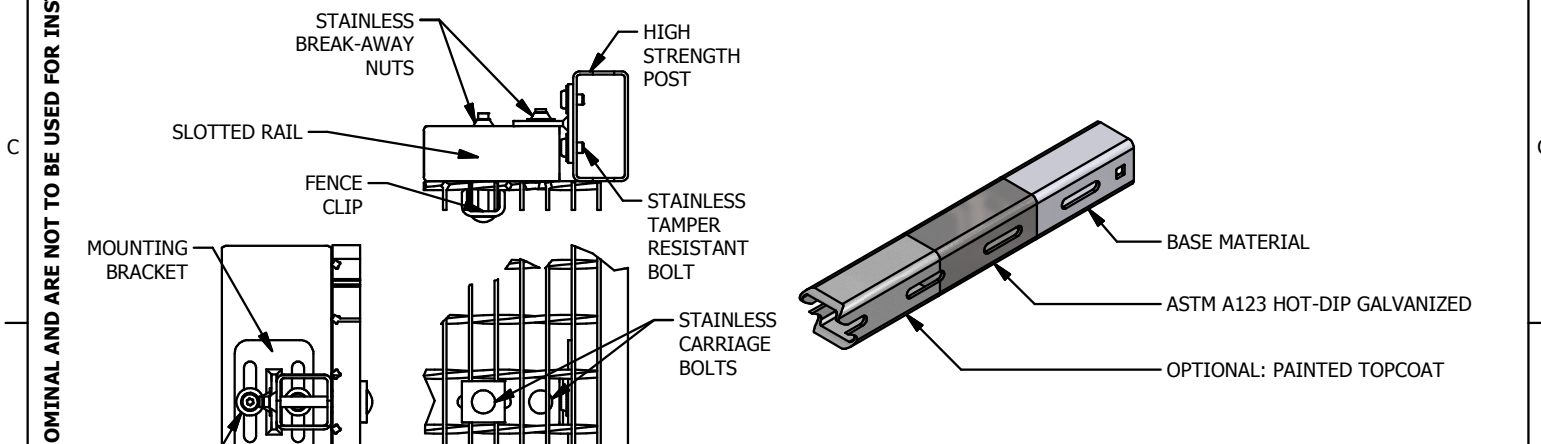
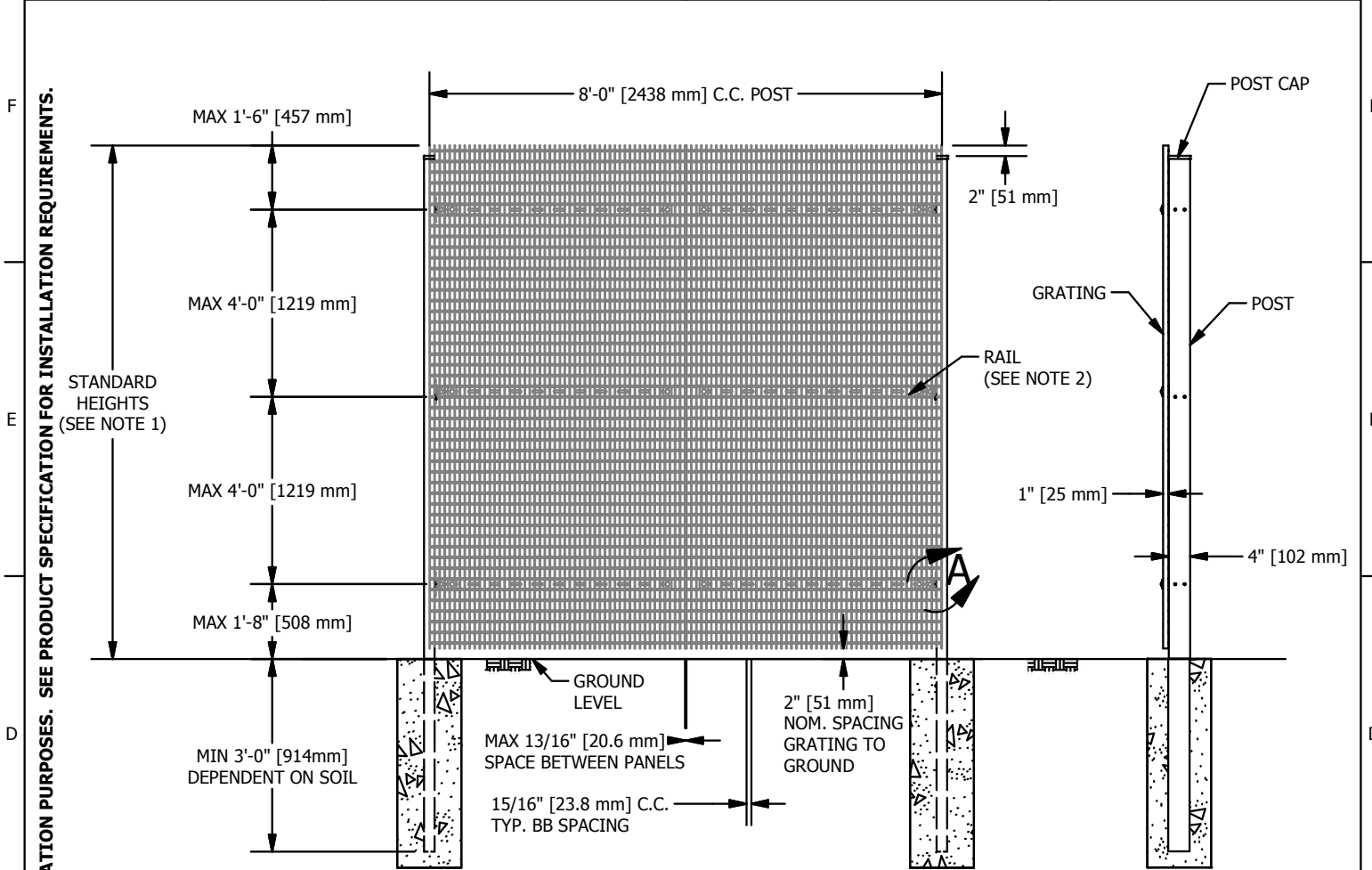
4

3

2

1

VALUES ARE NOMINAL AND ARE NOT TO BE USED FOR INSTALLATION PURPOSES. SEE PRODUCT SPECIFICATION FOR INSTALLATION REQUIREMENTS.



- NOTES:**
- STANDARD HEIGHTS:
 - 6 FT [1829 mm] THROUGH 12 FT [3658 mm]
 - OTHER HEIGHTS AVAILABLE
 - REQUIRED NUMBER OF RAILS:
 - UP TO 7 FT = 2 RAILS
 - 7 FT TO 11 FT = 3 RAILS
 - 11 FT TO 12 FT = 4 RAILS
 - CONSULT HARSCO INDUSTRIAL IKG SALES DEPARTMENT FOR OTHER GRATING TYPES OR POST CONFIGURATIONS.



NAAMM METAL
THE NATIONAL ASSOCIATION OF ARCHITECTURAL METAL MANUFACTURERS

Specifications, fabrication and tolerances for grating are in accordance with NAAMM Metal Bar Grating Manual unless otherwise noted.

THIRD ANGLE PROJ	DRAWN BY BB	DATE 2/10/2016	
DO NOT SCALE	CHECKED BY GDR	DATE 2/10/2016	SHEET 1 OF 1

HARSCO INDUSTRIAL IKG

1514 S. SHELDON RD CHANNELVIEW, TX 77530
 TITLE / UNIT / SECTION
GrateGuard™ HIGH SECURITY FENCE WDF3 STANDARD LAYOUT
 Patent Pending
 © 2016 HarSCO Corporation. All rights reserved.

PH: (281) 452-6637
 FAX: (281) 452-2089

SIZE: **A** DRAWING NO.: **TD-FXX-DF3A** REV: **0**

THIS DRAWING AND THE INFORMATION CONTAINED ON IT IS THE EXCLUSIVE PROPERTY OF HARSCO CORPORATION. THE COPYING, REPRODUCING, TRANSMITTING, OR DISTRIBUTION OF THIS DRAWING OR ANY INFORMATION CONTAINED ON IT, WHETHER IN PART OR AS A WHOLE, WITHOUT THE PRIOR WRITTEN CONSENT OF HARSCO CORPORATION IS PROHIBITED.

4

3

2

1