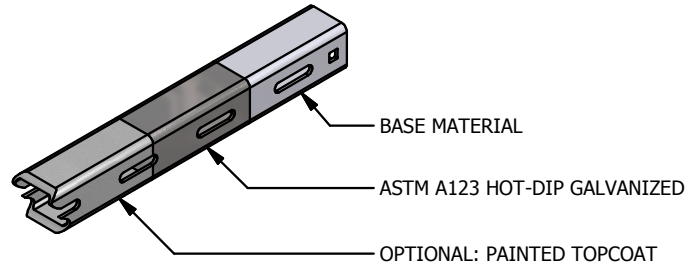
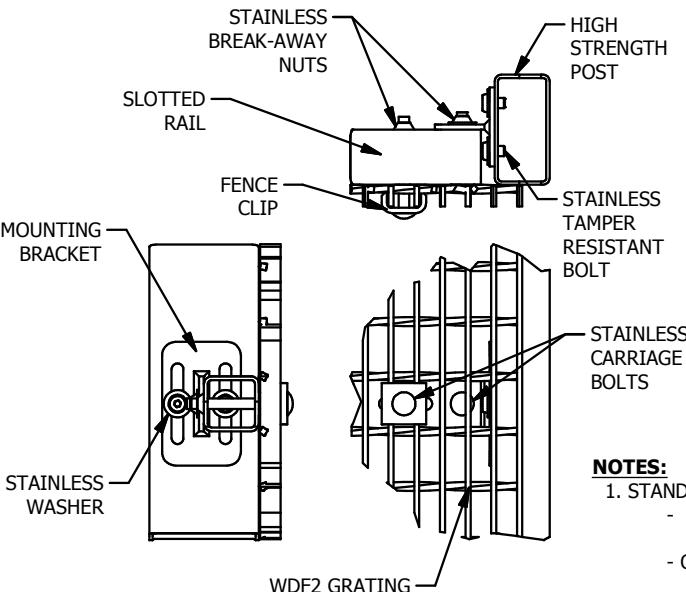
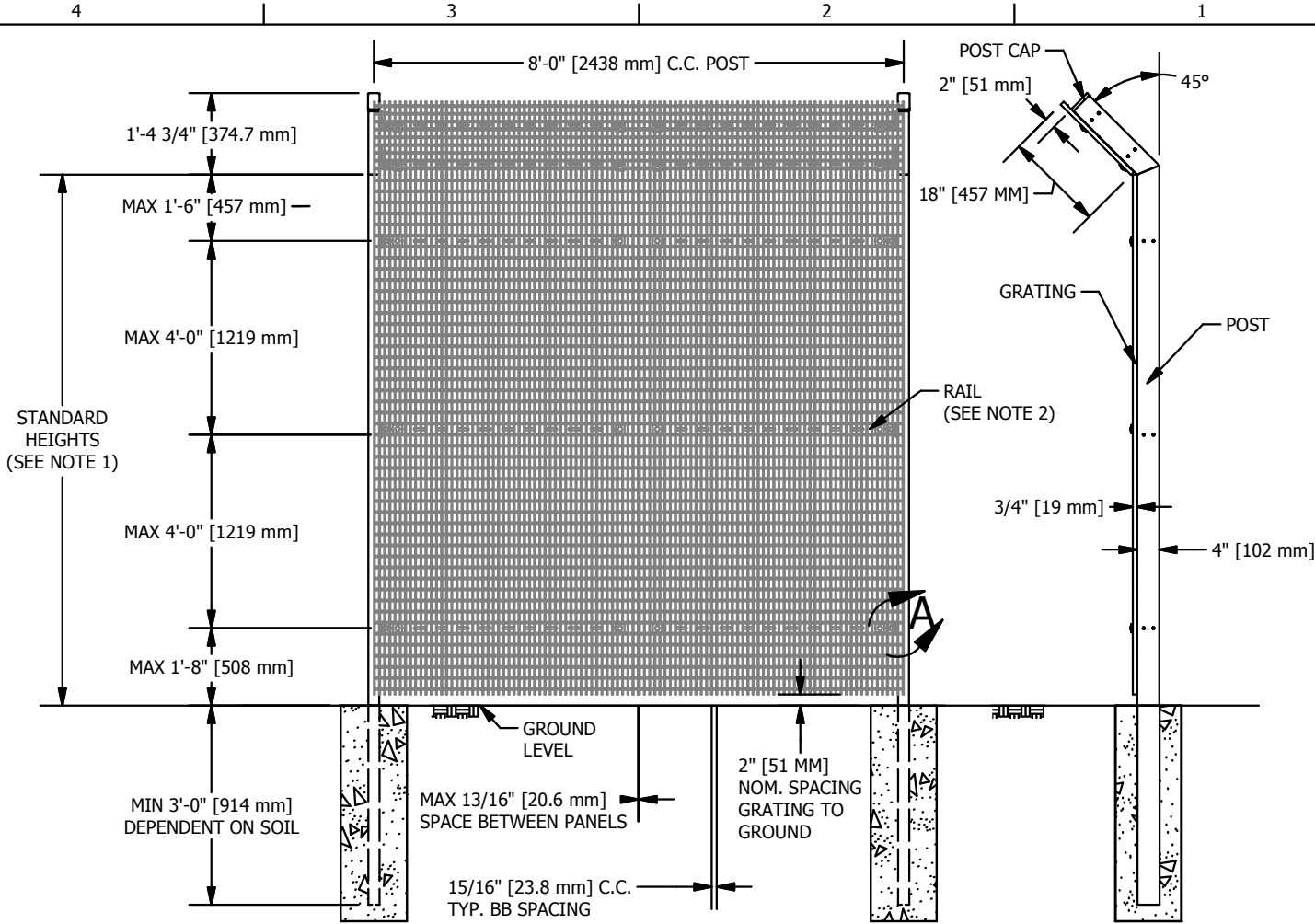


VALUES ARE NOMINAL AND ARE NOT TO BE USED FOR INSTALLATION PURPOSES. SEE PRODUCT SPECIFICATION FOR INSTALLATION REQUIREMENTS.



- NOTES:**
- STANDARD HEIGHTS:
 - 6 FT [1829 mm] THROUGH 12 FT [3658 mm]
 - OTHER HEIGHTS AVAILABLE
 - REQUIRED NUMBER OF RAILS:
 - UP TO 7 FT = 2 RAILS
 - 7 FT TO 11 FT = 3 RAILS
 - 11 FT TO 12 FT = 4 RAILS
 - CONSULT HARSCO INDUSTRIAL IKG SALES DEPARTMENT FOR OTHER GRATING TYPES OR POST CONFIGURATIONS.



DETAIL A

WDF2 GRATING
(3/4X3/16 BEARING BAR(BB) @ 15/16" C.C.;
CROSS BAR(CB) @ 2" C.C.) (SEE NOTE 3)

Specifications, fabrication and tolerances for grating are in accordance with NAAMM Metal Bar Grating Manual unless otherwise noted.

| | | | |
|------------------|-------------------|-------------------|--------------|
| THIRD ANGLE PROJ | DRAWN BY BB | DATE 2/10/2016 | |
| DO NOT SCALE | CHECKED BY GDR | DATE 2/10/2016 | SHEET 1 OF 1 |

HARSCO
INDUSTRIAL
IKG

1514 S. SHELDON RD
CHANNELVIEW, TX 77530
TITLE / UNIT / SECTION

PH: (281) 452-6637
FAX: (281) 452-2089

GrateGuard™ HIGH SECURITY FENCE
WDF2 OVERHANG LAYOUT
Patent Pending
© 2016 HarSCO Corporation. All rights reserved.

SIZE DRAWING NO. REV

A TD-FXX-DF2B **0**

THIS DRAWING AND THE INFORMATION CONTAINED ON IT IS THE EXCLUSIVE PROPERTY OF HARSCO CORPORATION. THE COPYING, REPRODUCING, TRANSMITTING, OR DISTRIBUTION OF THIS DRAWING OR ANY INFORMATION CONTAINED ON IT, WHETHER IN PART OR AS A WHOLE, WITHOUT THE PRIOR WRITTEN CONSENT OF HARSCO CORPORATION IS PROHIBITED.